

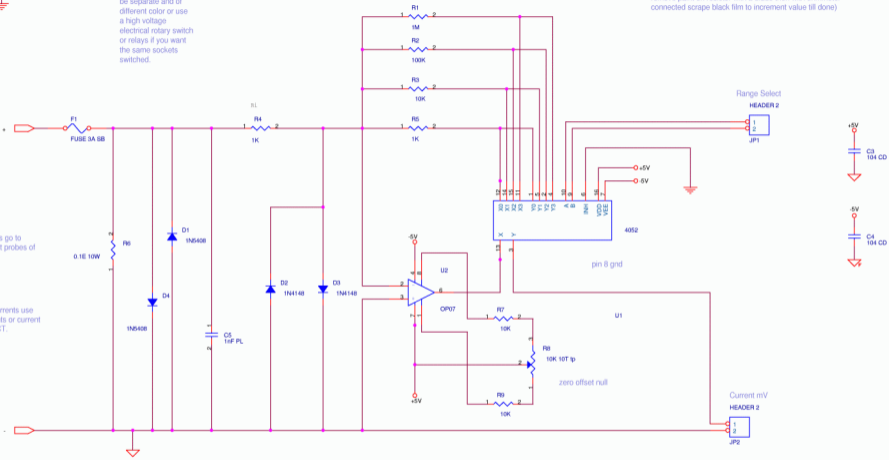


let voltage current and resistance sockets be separate and of different color or use a high voltage electrical rotary switch or relays if you want the same sockets switched.

Rf and Ri are 0.1% MFR, if costly, use bourns 10T trimpot or a difficult way use series parallel combination and scratch 10% part of network to increase value. (first remove paint on resistor with a blade then with ohmmeter connected scrape black film to increment value till done)

these points go to your current probes of DMM

for greater currents use external shunts or current transformer CT.



put 104 CD cap for all ICs from positive to negative close to IC, even if omitted in circuit, for opamps on dual supply two caps. unused inputs of logic and opamps pull up or down to avoid oscillations and noise. connect supply of all chips if not mentioned. "analog ground" and "digital ground" must be linked at power supply only, avoid loops, let grounds radiate from a ground plane. use MFR 1% for all Resistors, 33E means 33 ohms, 22K means 22 kilo ohms, 1M is 1 megohm. 10T Trimpot means like 10 turn bourns. '474 CD' is 47 with 4 zeros pF, 470000 pF, remove 3 zeros 470 nF, shift decimal 3 places 0.47uF. "pl" is plastic, low leakage multilayer;

delabs design
delabs-circuits.com
delabs.net

delabs circuits and technologies			
Title Current Measurement			
Size B	Document Number del20014		Rev 1
Date Monday, May 31, 2004	Sheet 1	of 1	