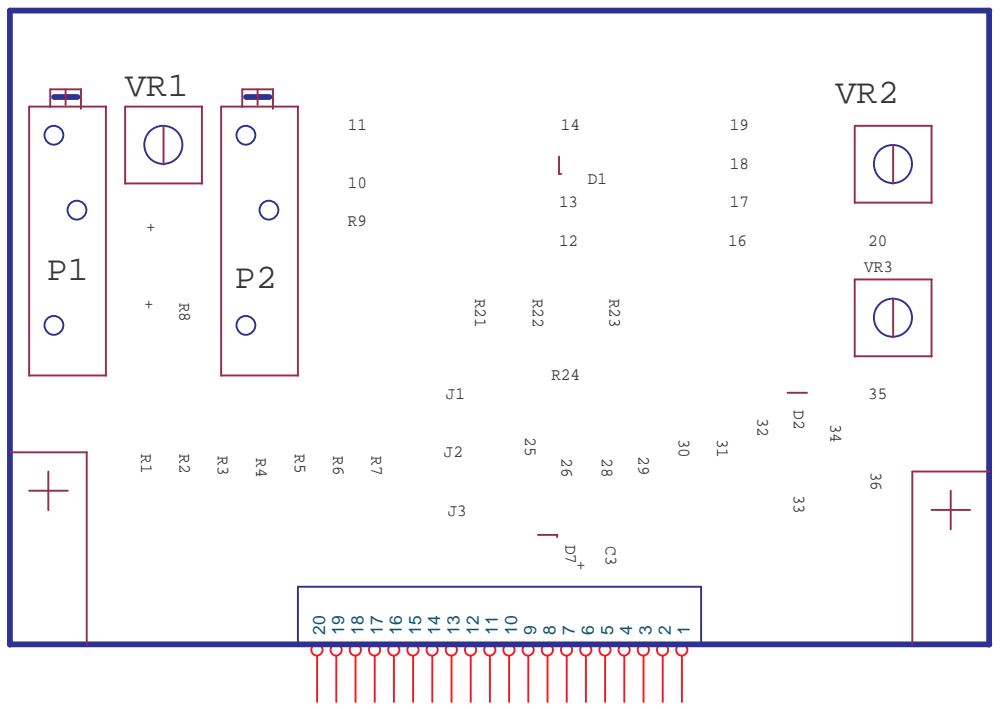
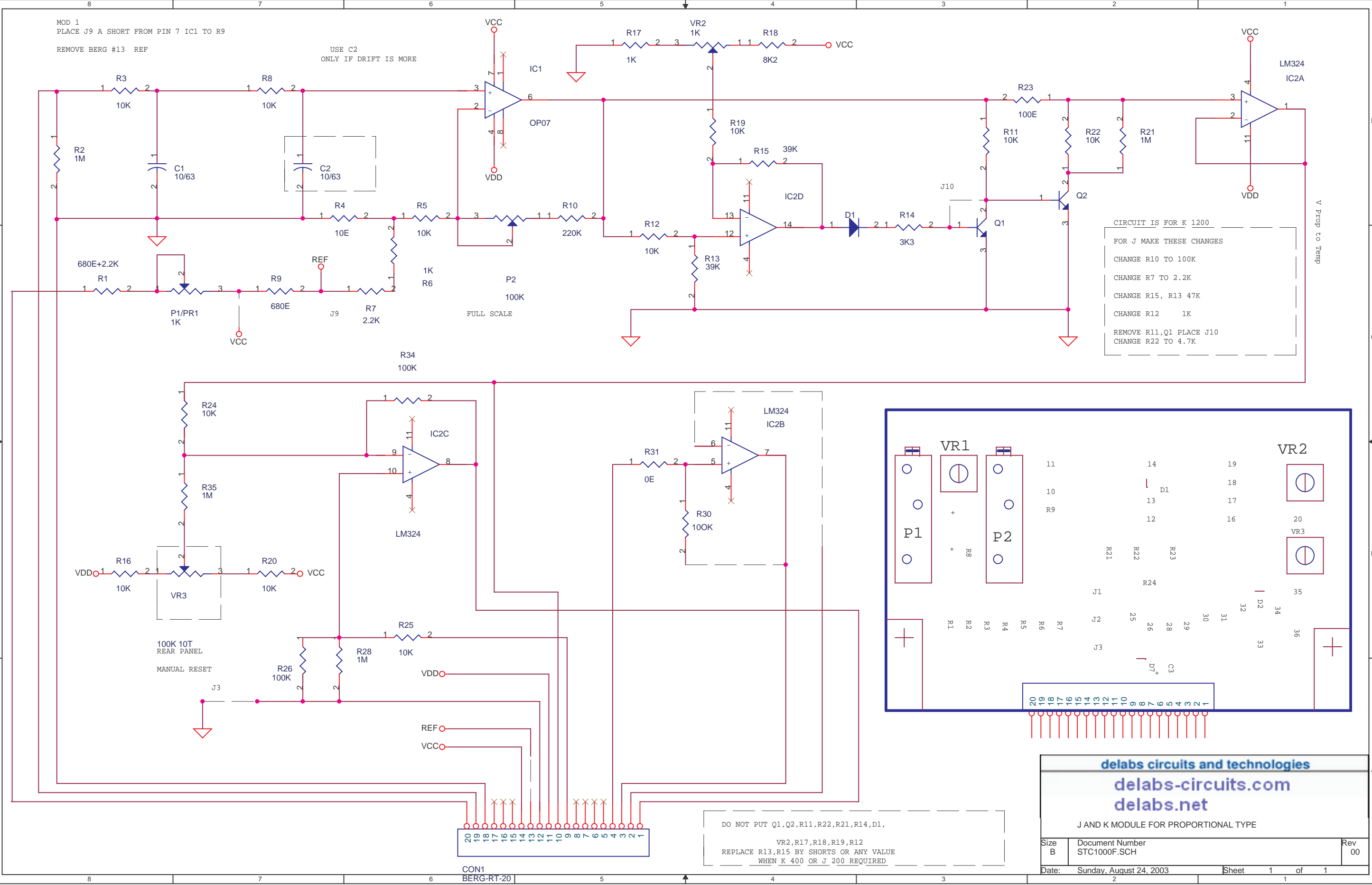


MOD 1
PLACE J9 A SHORT FROM PIN 7 IC1 TO R9
REMOVE BERG #13 REF

USE C2
ONLY IF DRIFT IS MORE

CIRCUIT IS FOR K 1200
FOR J MAKE THESE CHANGES
CHANGE R10 TO 100K
CHANGE R7 TO 2.2K
CHANGE R15, R13 47K
CHANGE R12 1K
REMOVE R11,Q1 PLACE J10
CHANGE R22 TO 4.7K

DO NOT PUT Q1,Q2,R11,R22,R21,R14,D1,
VR2,R17,R18,R19,R12
REPLACE R13,R15 BY SHORTS OR ANY VALUE
WHEN K 400 OR J 200 REQUIRED



delabs circuits and technologies
delabs-circuits.com
delabs.net

J AND K MODULE FOR PROPORTIONAL TYPE

Size B	Document Number STC1000F.SCH	Rev 00
Date:	Sunday, August 24, 2003	Sheet 1 of 1