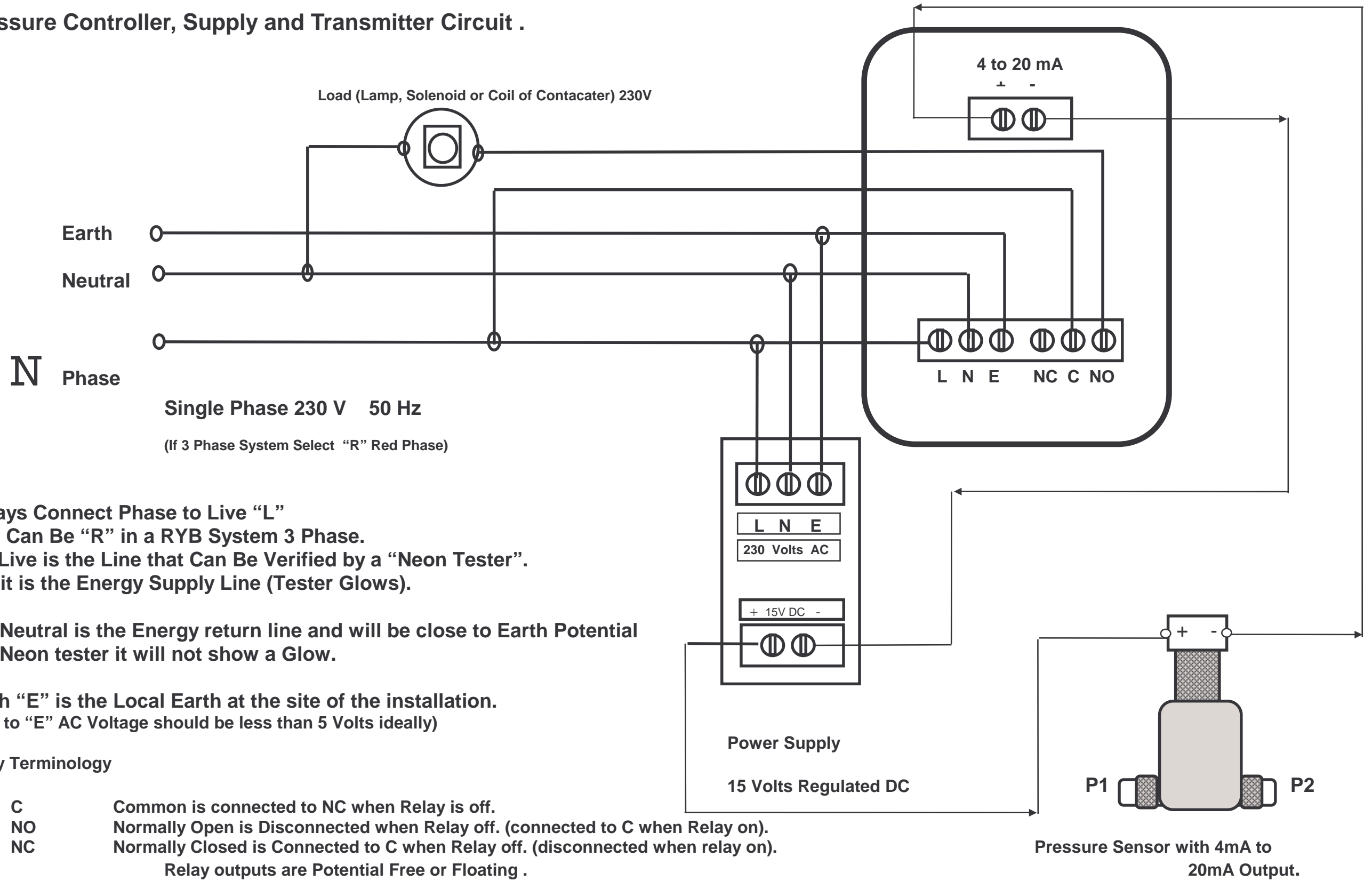


Pressure Indication & Control.

Pressure Controller, Supply and Transmitter Circuit .



Always Connect Phase to Live “L”
 This Can Be “R” in a RYB System 3 Phase.
 “L” Live is the Line that Can Be Verified by a “Neon Tester”.
 and it is the Energy Supply Line (Tester Glows).

“N” Neutral is the Energy return line and will be close to Earth Potential
 in a Neon tester it will not show a Glow.

Earth “E” is the Local Earth at the site of the installation.
 (“N” to “E” AC Voltage should be less than 5 Volts ideally)

Relay Terminology

- C Common is connected to NC when Relay is off.
 - NO Normally Open is Disconnected when Relay off. (connected to C when Relay on).
 - NC Normally Closed is Connected to C when Relay off. (disconnected when relay on).
- Relay outputs are Potential Free or Floating .