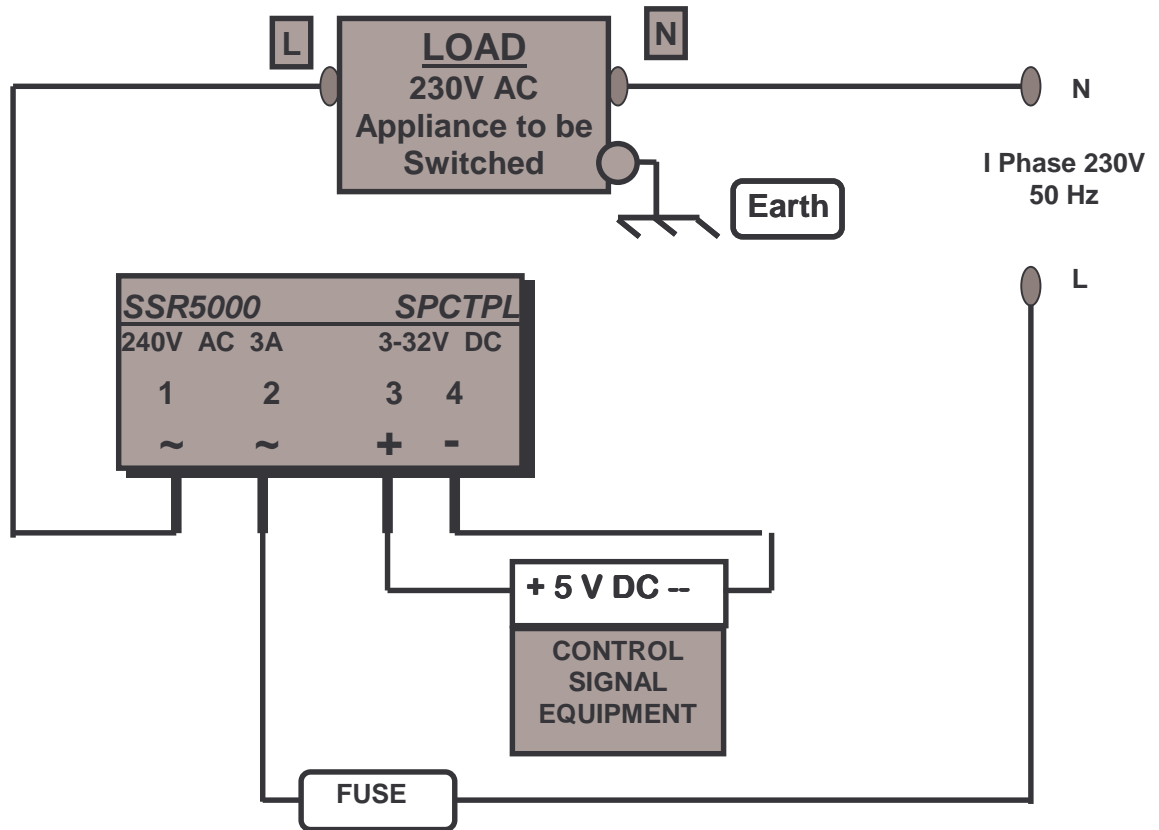


A. Diagram of SSR 5000 DC 3-30 Control / 230V AC N.O. @ 3A.



SSR or Solid State Relay or Electronic Relay .

This is a Thyristor Based Normally Open 230V Switch that can be turned on / off at a fast rate. This switches at Zero Crossover . Use 5V DC for Best Results.

- a. No moving parts hence no wear and tear.
- b. Dissipates Heat when in On Condition 5 Watts @ 3 Amps.
- c. Mount with adequate Air Ventilation for 3 Amps.
- d. Dissipation is 1.4 Watts per Amp thru Load.
- d. Input to Output is optically isolated 1kV.
- e. This one is DC 3-30 Control AC 230V N.O. Output.
- f. Off state snubber Leakage is around 1 mA.

N The Termination's of High Current Lines going to Load must be very tight and crimped. Loose contacts will Spark and cause Fire.

FUSE RATING OF FB FUSE

Fast Blow Fuse is to be used. Use a 2 Amps Fuse with Holder in the Hot Line.