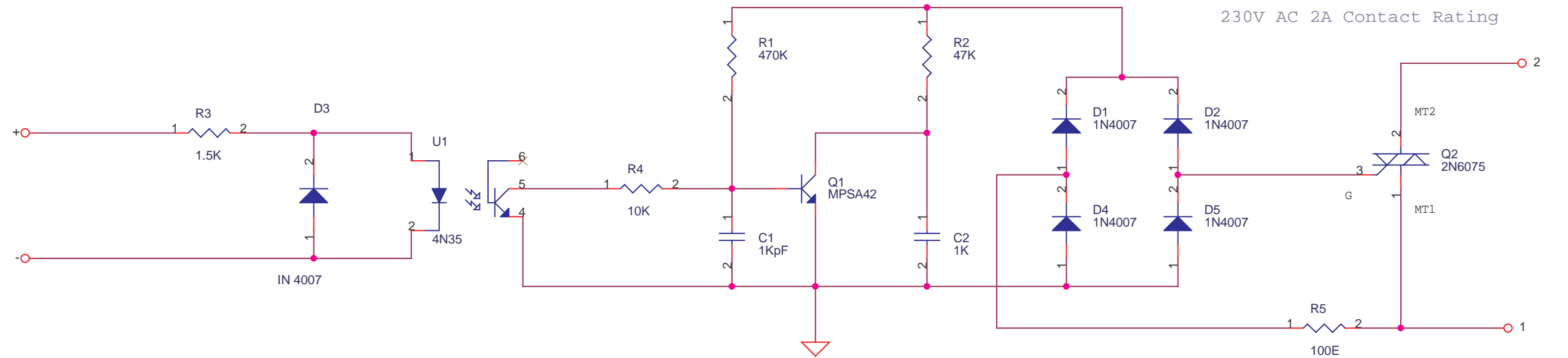


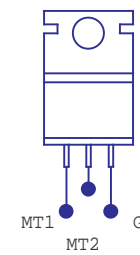
NORMALLY CLOSE SSR (PCB MOUNTABLE)



230V AC 2A Contact Rating

Connect In Series With Load
Like a Switch

BT136, TXC 10K40, TIC206D



put 104 CD cap for all ICs from positive to negative close to IC, even if omitted in circuit, for opamps on dual supply two caps.
 unused inputs of logic and opamps pull up or down to avoid oscillations and noise. connect supply of all chips if not mentioned.
 "analog ground" and "digital ground" must be linked at power supply only, avoid loops, let grounds radiate from a ground plane.
 use MFR 1% for all Resistors, 33E means 33 ohms, 22K means 22 kilo ohms, 1M is 1 megohm. 10T tp means ten turn trimpot.
 '474 CD' is 47 with 4 zeros pF, 470000 pF, 470 nF, 0.47uF, ceramic disc. "pl" is plastic, low leakage multilayer.



<http://delabs.topcities.com/>
<http://delabs.netfirms.com/>
<http://delabs.tripod.com/>
<http://geocities.com/delabs/>
<http://members.fortunecity.com/delabs/>

Earlier This Circuit was ST13_1.pdf

delabs circuits and technologies

Title		
Normally Closed Contact SSR		
Size B	Document Number	Rev 1
	del30003	
Date:	Monday, May 16, 2005	Sheet 1 of 1