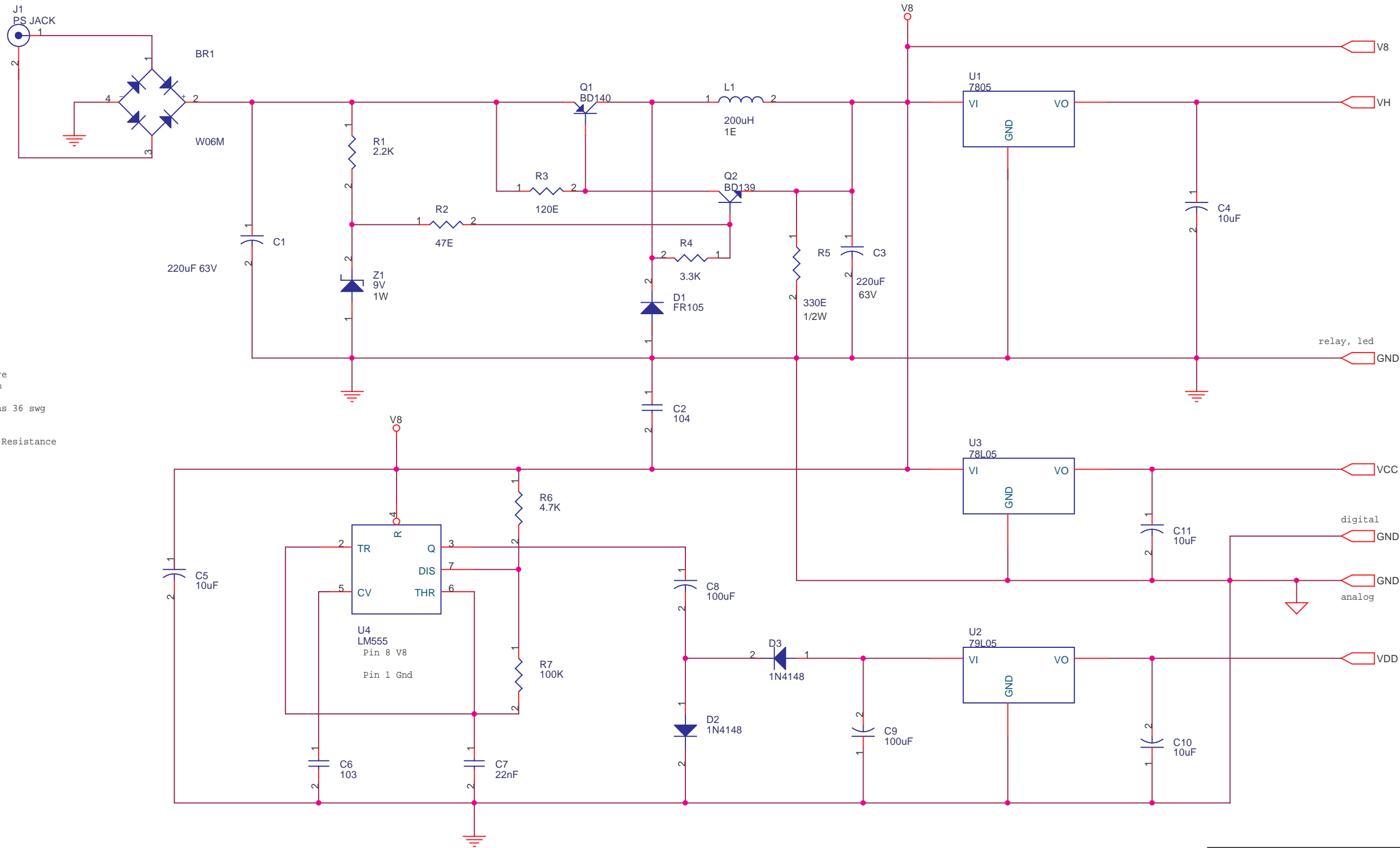


9-30V DC/AC



L1
 pot core
 dia 9mm
 ht 6mm
 25 turns 36 swg
 200uH
 1E max Resistance

⏏ THIS IS POWER GND RETURN PATH OF HIGH CURRENTS LEDs RELAY RTD1

▽ THIS IS SIGNAL OR ANALOG GND USE ONLY FOR ANALOG SECTION

delabs Technologies
 Electronic Product and Process Design
 san@delabs.net
 ananth@dapj.net
 delabs.net
 dapj.com

Size B	Document Number DACT0025.SCH	Rev 00
Date: Monday, August 11, 2003		Sheet 1 of 1