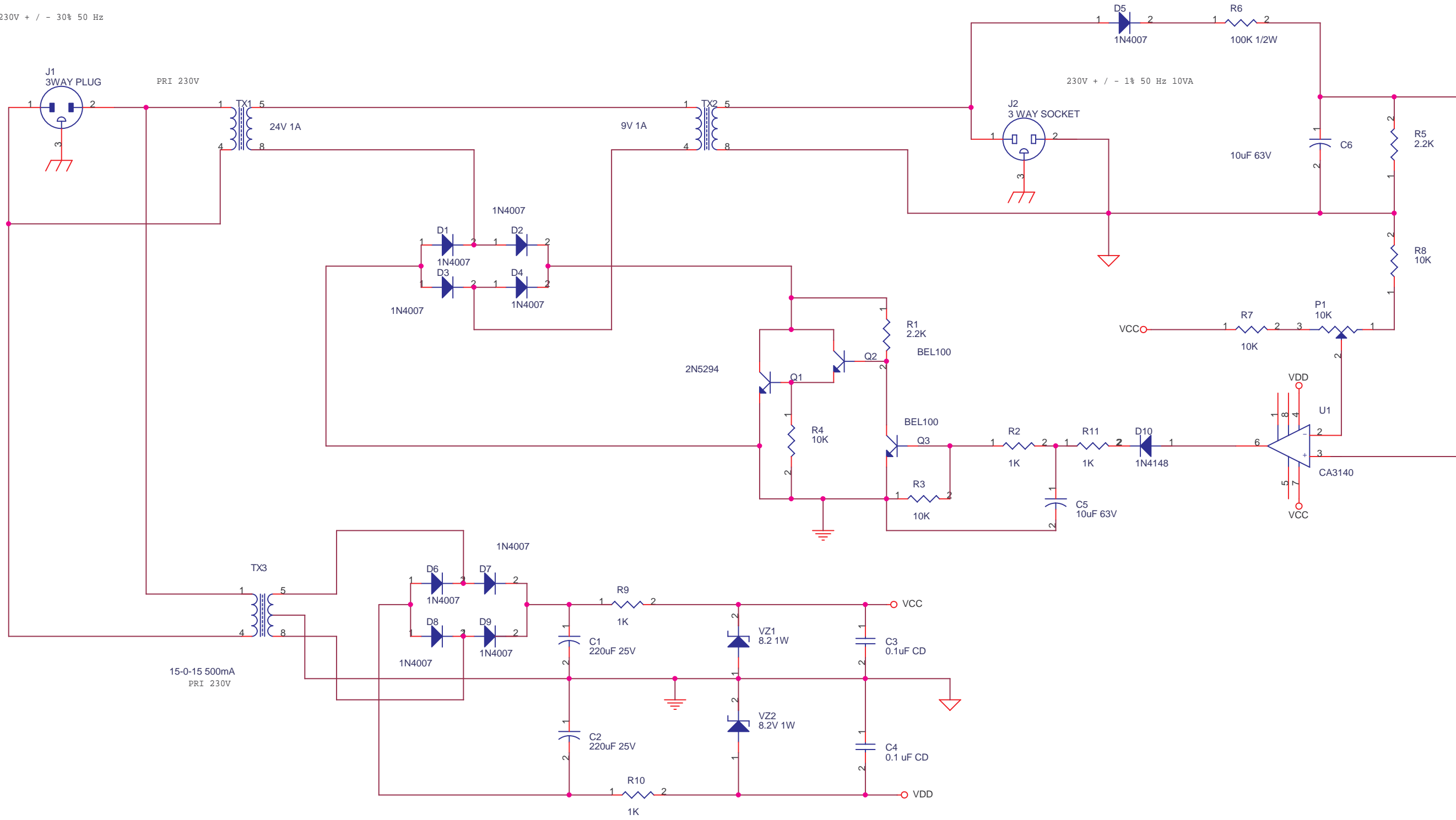


230V + / - 30% 50 Hz



CIRCUITS PROVIDED BY ANANTHA NARAYAN DELABS ARE FOR EDUCATIONAL PURPOSE ONLY.
 THE CIRCUITS ARE NOT PROVEN WORKING DESIGNS BUT CAN BE EXPERIMENTED UPON.
 THE USER OF THIS CIRCUIT WILL EXPERIMENT/APPLY/BUILD PROJECTS AT HIS OWN RISK.

Anantha Narayan delabs		
#2590, 17th Cross, 8th Main Banashankari 2nd Stage BANGALORE 560 070 Kar. India anantha_narayan@hotmail.com +91 80 6768863		
Title AC Voltage Regulator		
Size B	Document Number DACT0011.SCH	Rev 00
Date: Sunday, August 10, 2003	Sheet 1	of 1