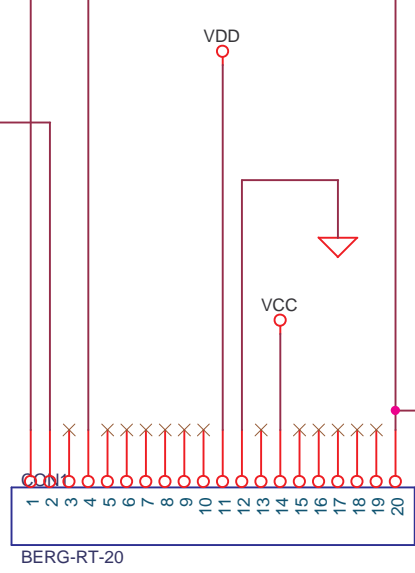
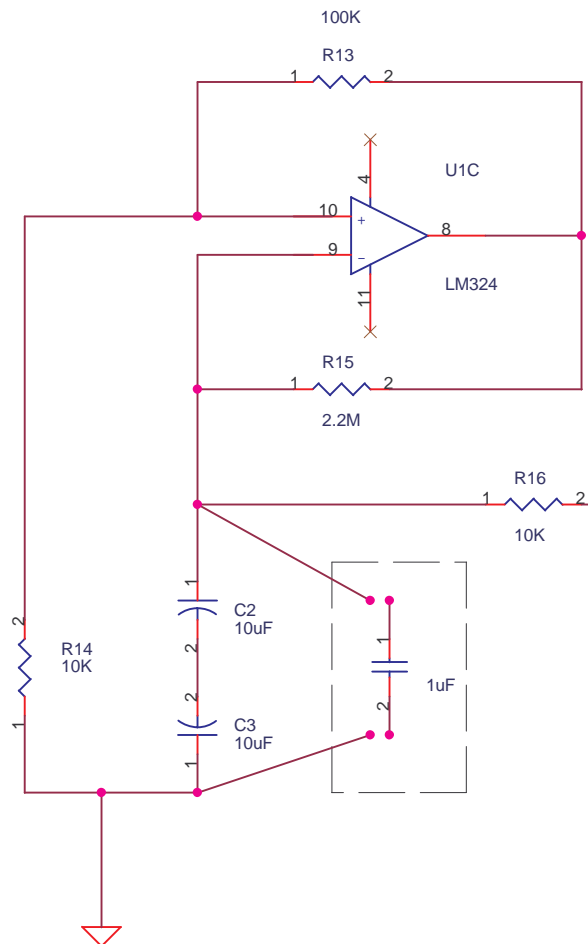
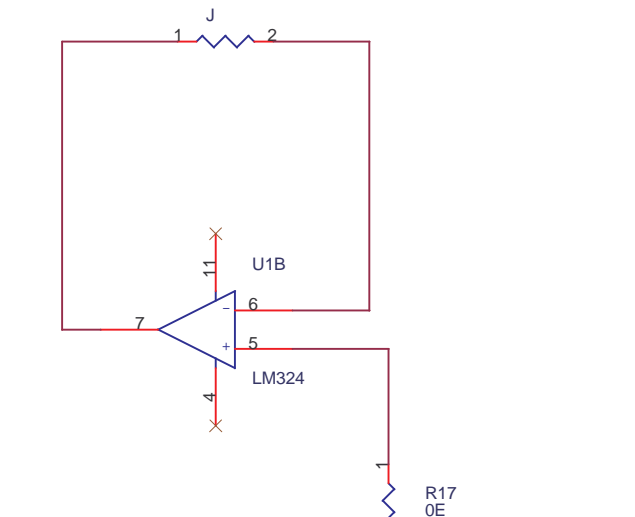
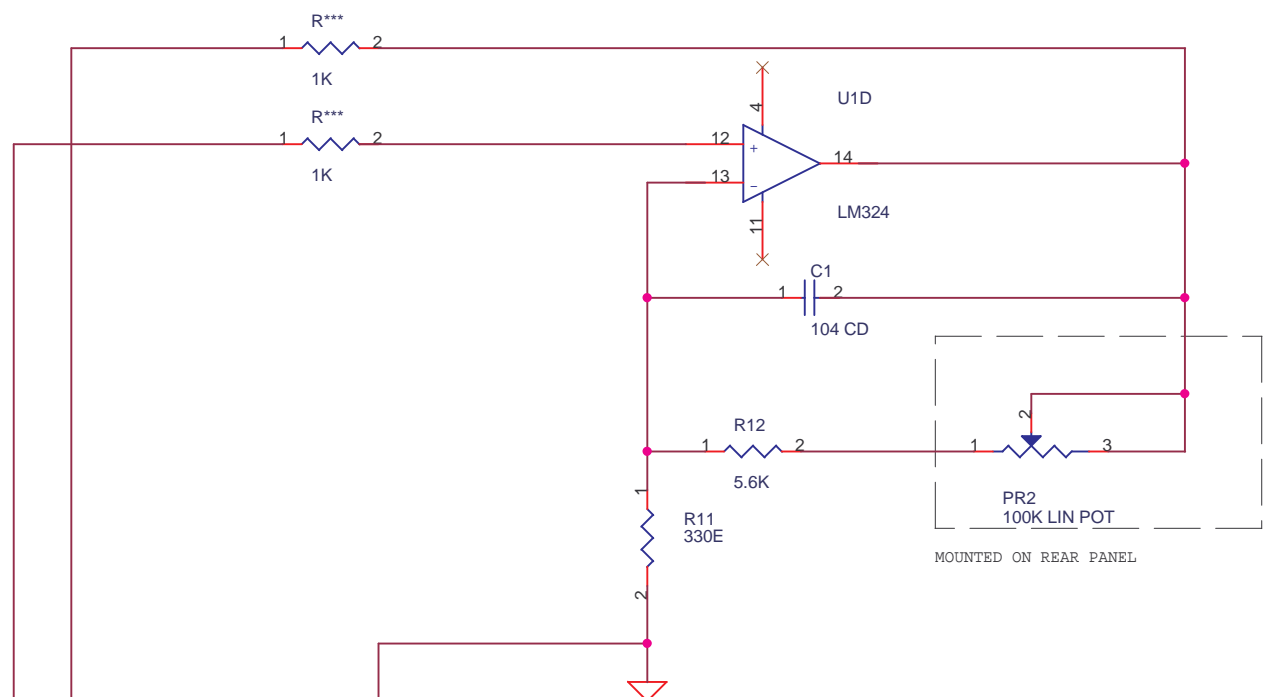
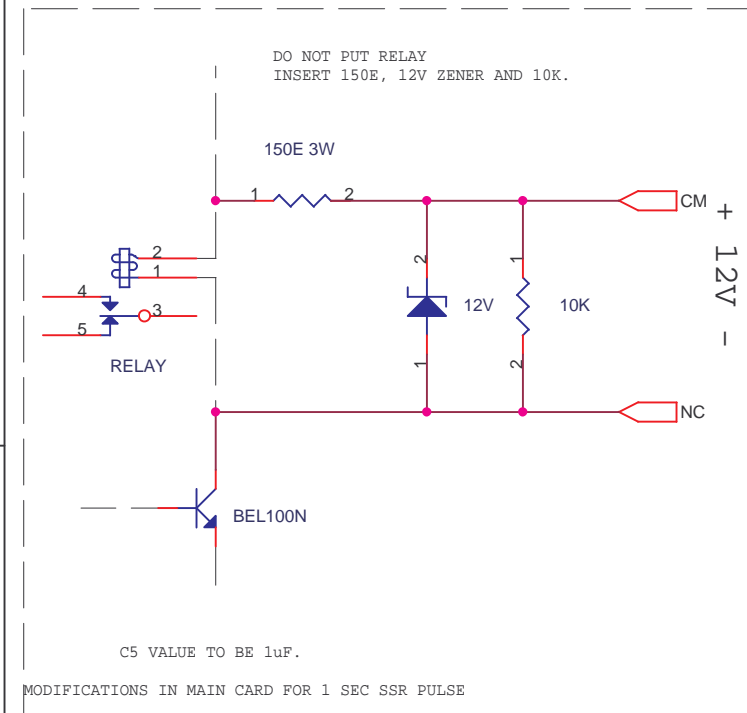
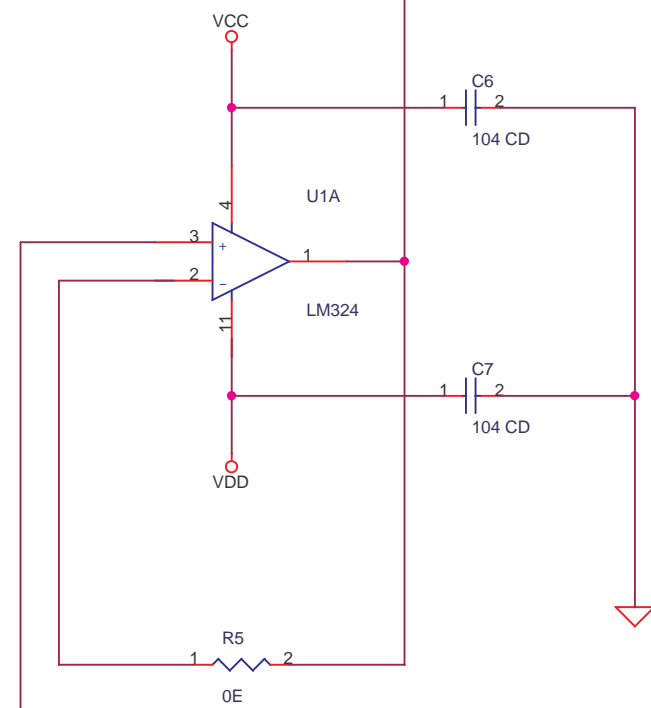


FULL CLOCKWISE TURN IS MAX PROP BAND OF 10-15 DEG  
AND RESISTANCE OF 100K POT IS 0 OHMS AT THIS END



1 - 20 LEGEND IS REVERSE ON MODULE CARD  
PIN 1 IN MAIN CARD IS CLOSE TO C5/7905



REMOVE C2 AND C3  
USE 1uF PLASTIC CAP FOR 1SEC CYCLE TIME FOR SSR O/P

SIGMA TECHNOLOGIES		
NO 2590 17TH CROSS 8TH MAIN BANASHANKARI II STAGE BANGALORE 560004 INDIA		
Title PROPORTIONAL CONTROL CARD STC1000		
Size B	Document Number STC1000D.SCH	Rev 00
Date: Sunday, August 24, 2003	Sheet 1	of 1