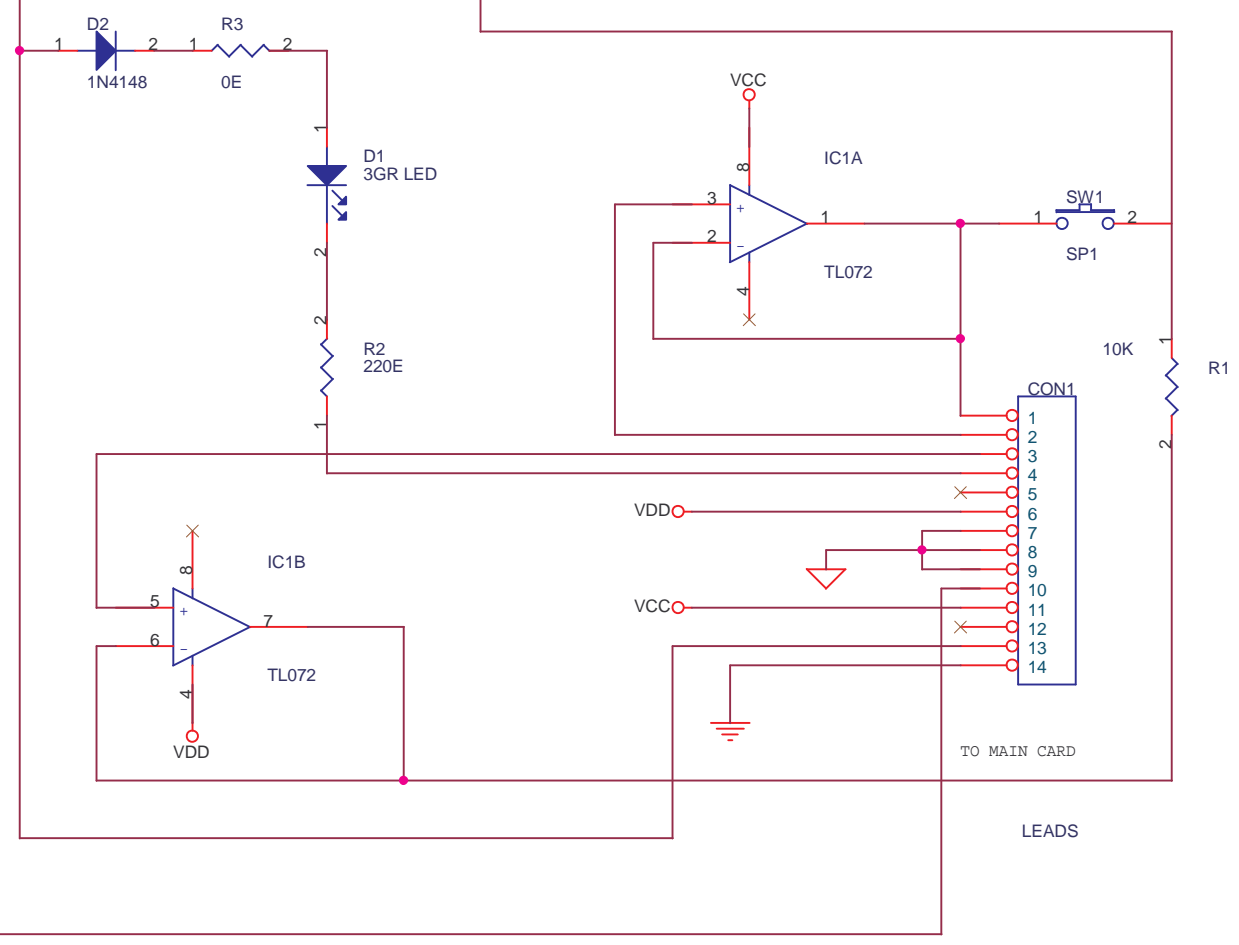
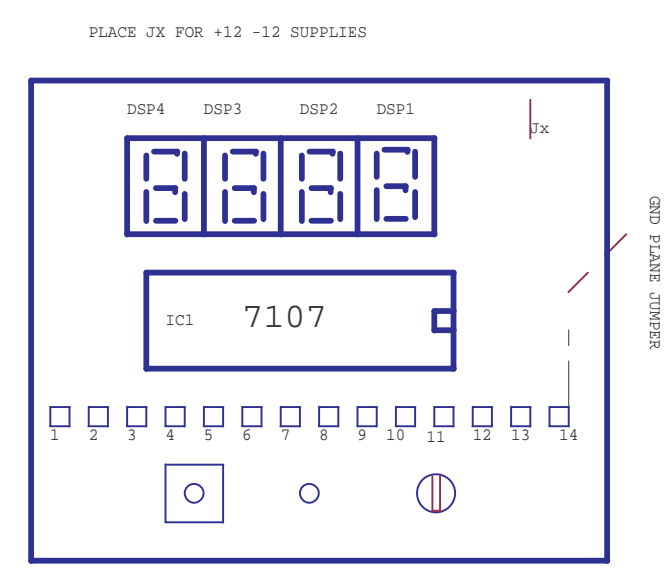
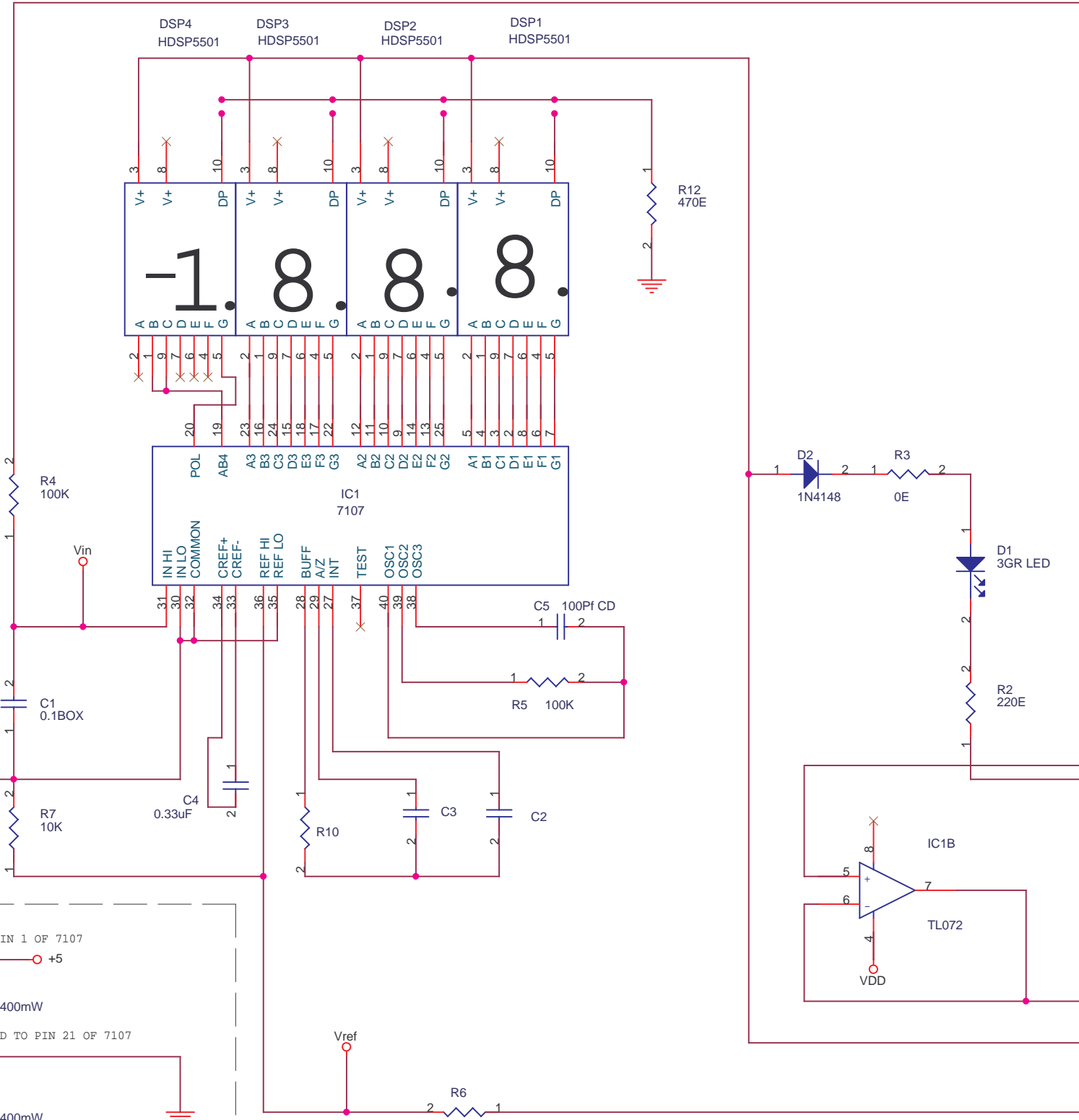
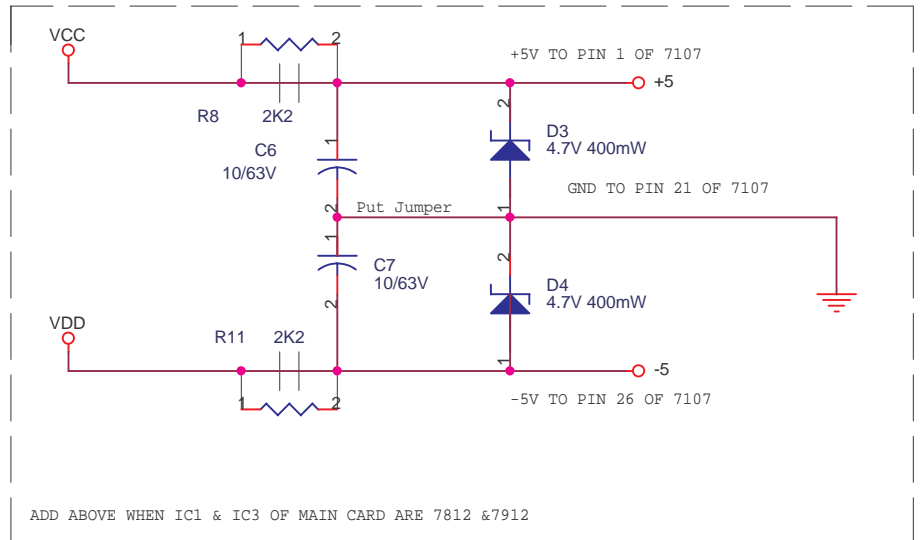


Reading = (Vin / Vref) * 1000 Counts

Vref	1.00V	100mV
R10	470K	47K
C2	0.22uF	0.22uF
C3	0.047uF	0.47uF
FS	1.999V	199.9mV



SIGMA TECHNOLOGIES
 NO 2590 17TH CROSS 8TH MAIN
 BANASHANKARI II STAGE
 BANGALORE 560004 INDIA

Title: DISPLAY CARD SSP

Size B Document Number: STC1000C.SCH Rev 00

Date: Sunday, August 24, 2003 Sheet 1 of 1